





IBDRW100-EX, DIN Rail HazLoc Box PC

A Box PC that Works in Hazardous Locations and Withstands Extreme Temperatures

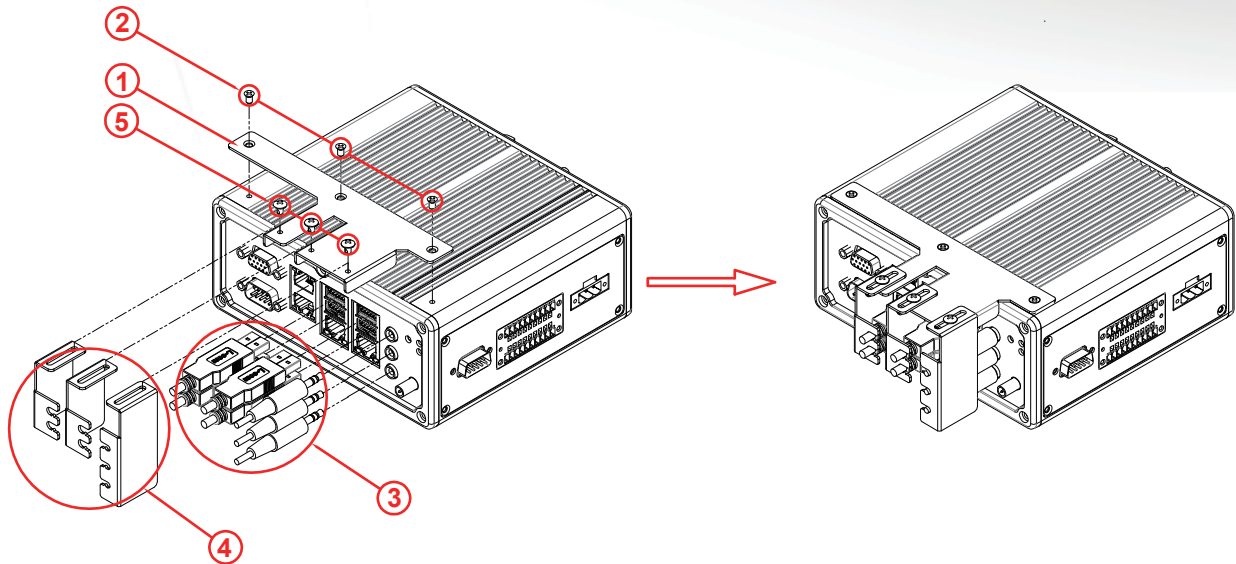
Accessories

	Winmate Part Number	Accessory Image
STANDARD ACCESSORIES		
Power Adapter (For testing only)	922D065W19V1	
Power Cord	Varies by product destination	
Open Wire Power Cable	94EL02X020E0	
Terminal Block 10 pin female connector for DIDO x 2	604530005D01	
Terminal Block 3 pin to 2.5 Ø female adapter cable	94J602G030K0	
Cable Holder Kit	821118561K00 x 2 / 821118561K01 / 821118561K02	
DIN Rail Mounting Clip	90ME01000000	
Driver CD	917111171001	
User Manual	917111171001	

IBDRW100-EX, DIN Rail HazLoc Box PC

A Box PC that Works in Hazardous Locations and Withstands Extreme Temperatures

Cable Holder Kit Concept

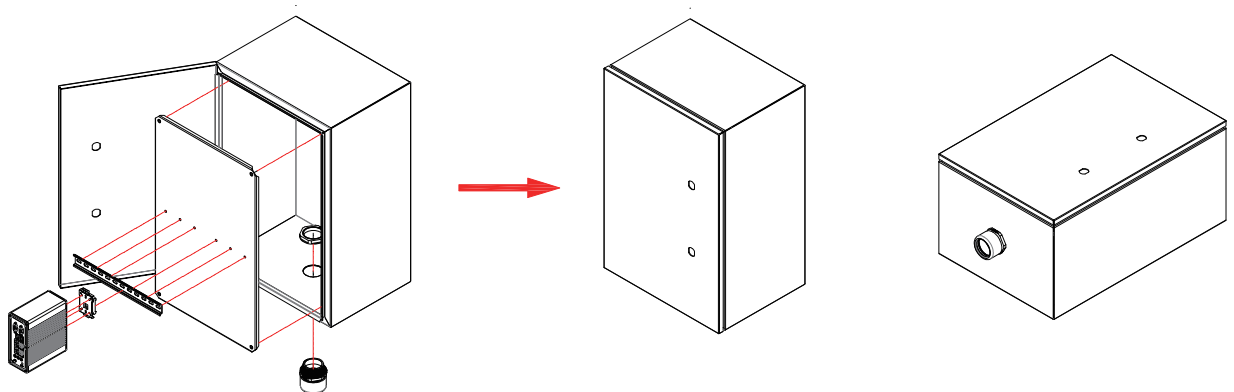


Find the cable arm bracket in the package, including the plate, bracket / holder, and screws

- 1-2. Install the plate on the top of the box and screw it tightly
3. Plug all the necessary cables into the connectors
4. Place the cable arm bracket according to the picture and then attach the bracket / holders to the plate
5. Fasten it for securing the installed cables

Protection Enclosure (Supply by Customer)

Mount the IBDRW100 in ATEX or IECEx certified IP54 Enclosure for HazLoc. deployment .



Note: All Specifications are subject to change without prior notice!