

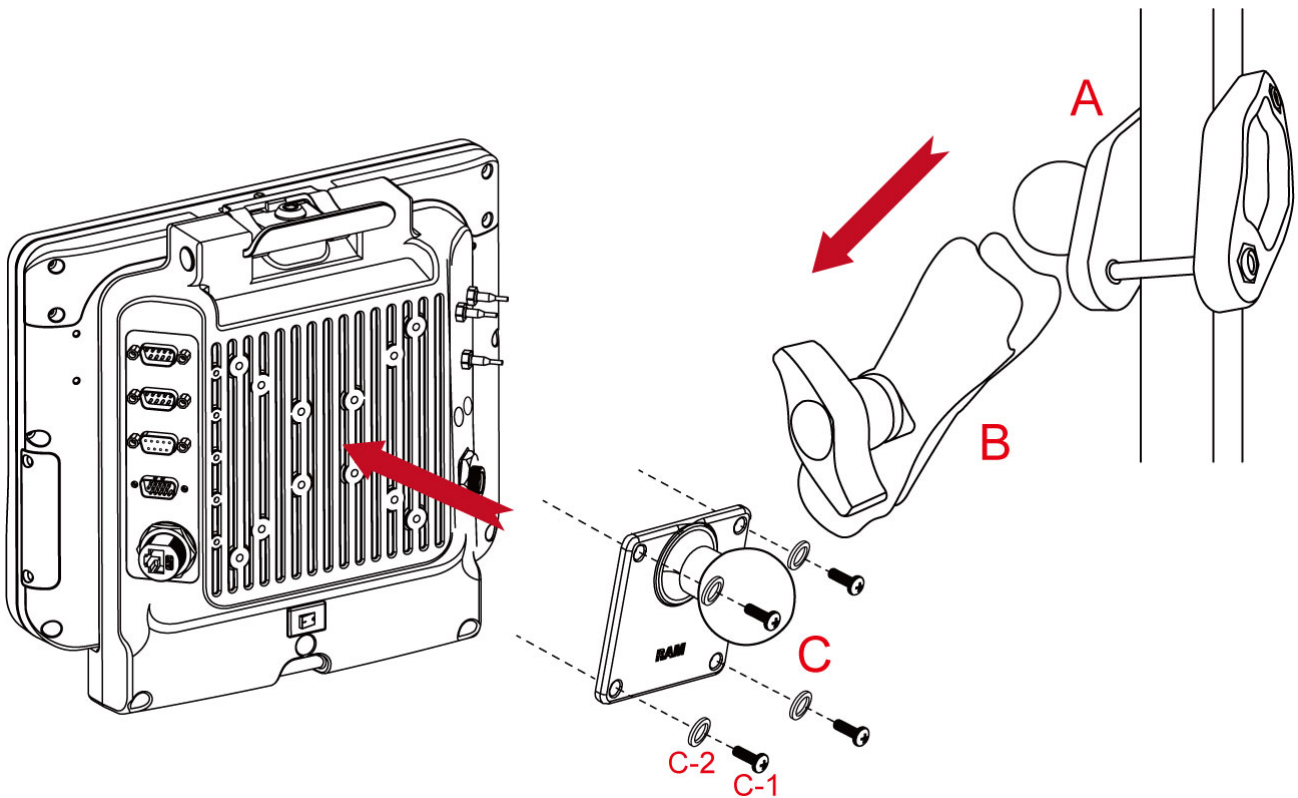
How to Mount your FM08, FM10, FM10A Vehicle Mount Computer

The docking of this device is designed to be mounted to RAM Mount solutions, which provides various mount types to fit any industrial use or vehicle. To set up the mounting system, follow the below steps:



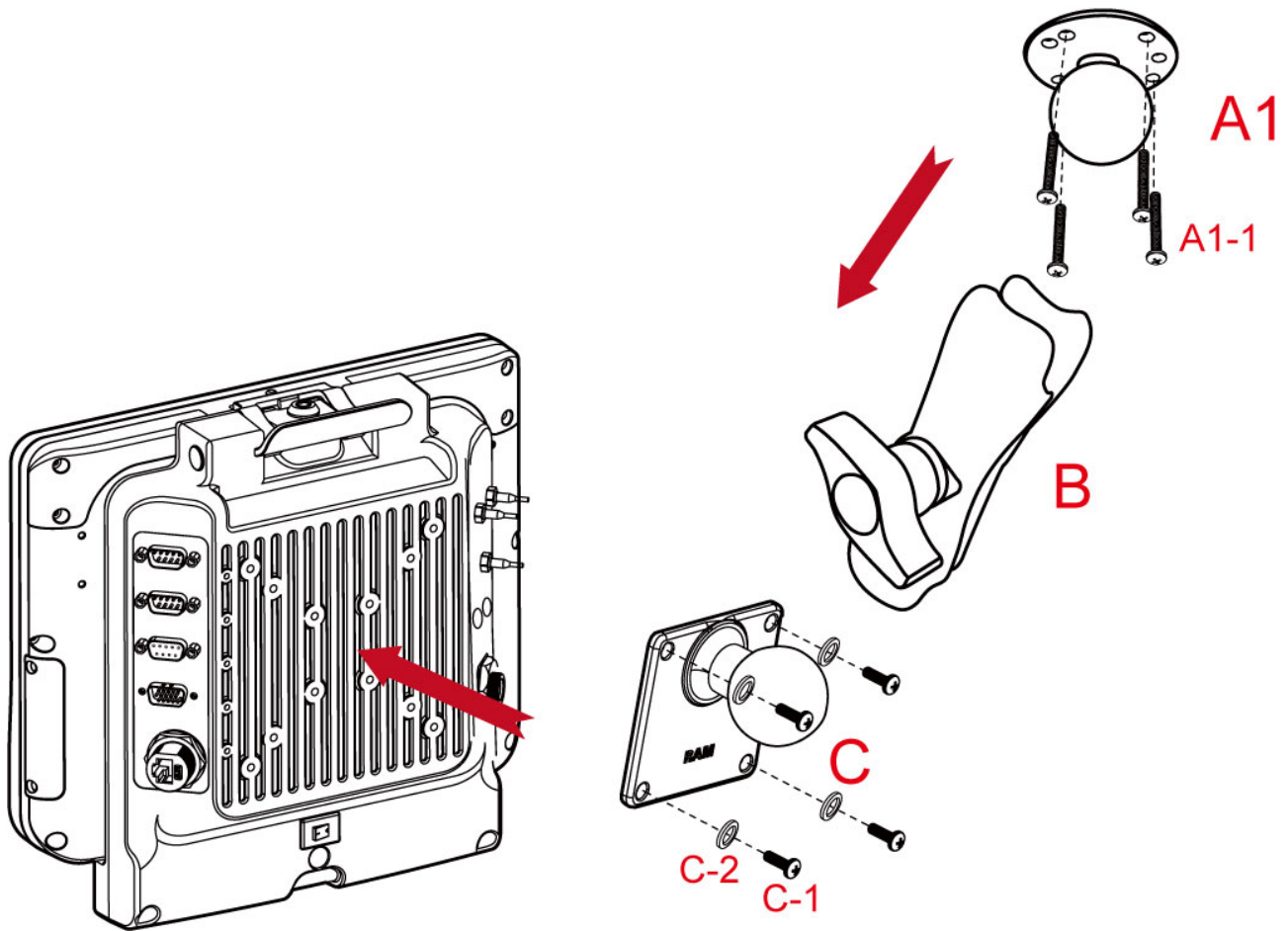
Mounting kit 1 – No Drill Solution (98K000A0005Y)

The docking of this device is designed to be mounted to RAM Mount solutions, which provides various types of mount types to fit any industrial use or vehicle. Each mounting kit consists of:



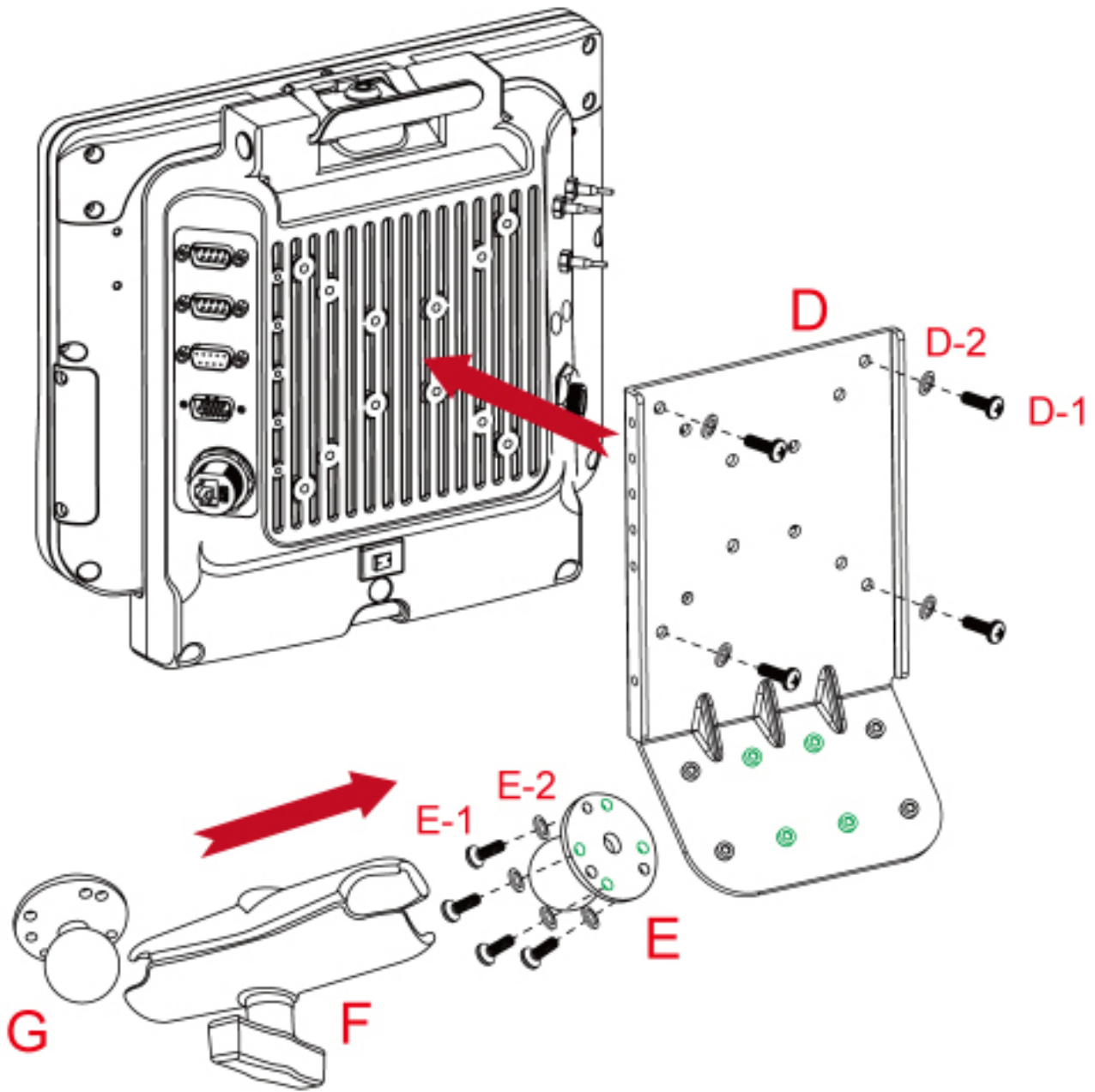
No	Component	Winmate Part Number	RAM Mounts Part Number	Description	QTY
A	RAM Clamp Mounts - on the forklift	9B00000007T	RAM-D-247U-4	Clamp base with 2.25" Ball	1
B	RAM Arm	9B00000007S	RAM-D-201U	Arm for 2.25" Ball (L:8.375")	1
C	RAM Ball on the device side	9B00000007U	RAM-D-2461U	75x75mm VESA with 2.25" Ball	1
C-1	Screw	913511101149	--	SUS304 M5 x 12mm Screw	5
C-2	Washer	91351110111Y	--	M5 Washer	5

Mounting kit 2 – Drill Solution (98K000A0006P)



No	Component	Winmate Part Number	RAM Mounts Part Number	Description	QTY
A1	RAM round base mounts - on the forklift	9B00000008R	RAM-D-202U	3.68" Round Base with 2.25" Ball	1
A1-1	Screw	91351110112N	--	SUS304 M8 x 40mm Screw	5
B	RAM Arm	9B00000007S	RAM-D-201U	Arm for 2.25" Ball (Length:8.375")	1
C	RAM Ball on the device side	9B00000007U	RAM-D-2461U	75x75mm VESA with 2.25" Ball	1
C-1	Screw	913511101149	--	SUS304 M5 x 12mm Screw	5
C-2	Washer	91351110111Y	--	M5 Washer	5

Mounting kit 3 – Keyboard Mounting Installation (98K000A0005X)



No	Component	Winmate Part Number	RAM Mounts Part Number	Description	QTY
D	Winmate Keyboard adapter plate (designed by Winmate)	821009131600	--	4 VESA Holes on the plate to device and 4 AMPS holes to RAM Ball	1
D-1	Screw	91351110113A	--	SUS304 M5 x 20mm Screw	5
D-2	Washer	91351110111Y	--	M5 WASHER	5
E	RAM Ball on the sloped part of the keyboard adapter plate	9B000000007P	RAM-202U	2.5" Round Base with 1.5" Ball	1
E-1	Screw	91351110111W	--	SUS304 M4 x 14mm Screw	5
E-2	Washer	91351110111X	--	M4 WASHER	5
F	RAM Arm	9B000000007Q	RAM-201U	Arm for 1.5" Ball (Length:5.6")	1
G	RAM Ball on the sloped part of the keyboard adapter plate	9B000000007P	RAM-202U	2.5" Round Base with 1.5" Ball	1