

Rugged Tablet

Vehicle-Mounting Docking Stand w/ Car Charging

Model : VMDS-10

Part number: 99KK10400003

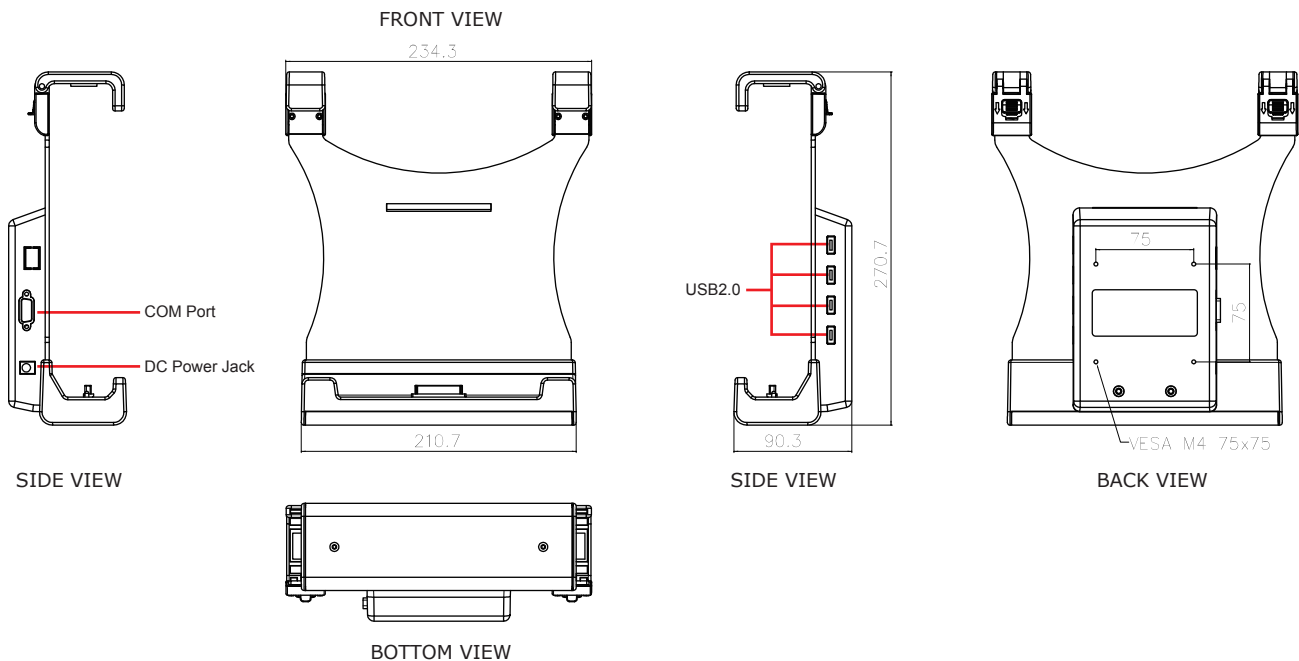
- Input: 9~36V with a car charging connector
- Output: 19V with a cable can connect to our Rugged Tablet PCs
- TDP: 80W
- Mechanical mount: VESA mount, universal RAM mount
- Expansion Ports: 4 x USB 2.0, 1 x COM
- Ergonomic & User-friendly design of loose/ lock the Tablet PC



Picture



Mechanical Design Drawings



* Note: this is a simplified drawing and some components are not marked in detail.
Please contact our sales representative if you need further product information.

Order Information

#	Model Name	Description
B.	VMDS-10	Support 10.4 inch all series Rugged Tablet PCs