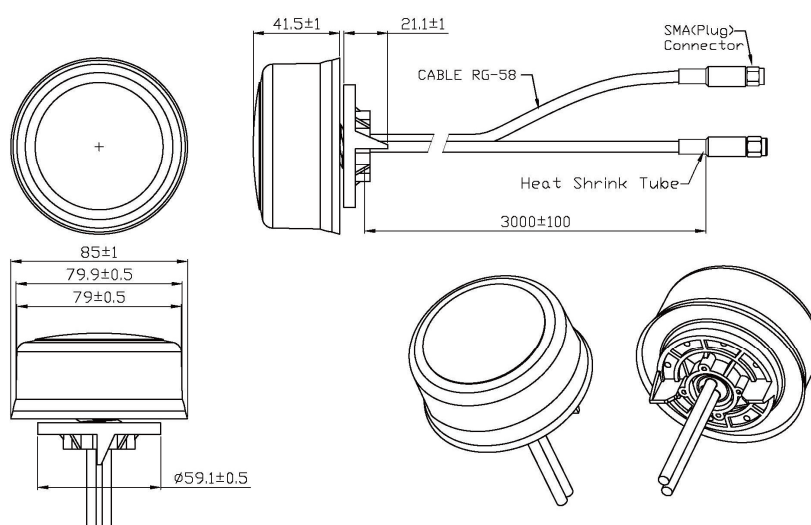


GPS & LTE MIMO Combo Antenna

VM9C

Feature:

- Low profile structure without a whip
- Screw through hole mount
- Support 2G, 3G, 4G& GPS application bands
- IPX7
- Two LTE antennas to improve the communication performance



Specification

Category	GPS Antenna	LTE Main Antenna	LTE Sub-Antenna
Frequency	1.57542GHz (L1 BAND) 1602MHz (GLONASS)	704~960MHz; 1710~2690MHz	
Gain	28dB	6.1dBi @ 704~960MHz 5.47dBi @ 1710~2690MHz, with 3m RG-58 cable	4.91dBi @ 704~960MHz 4.45dBi @ 1710~2690MHz, with 3m RG-58 cable
V.S.W.R	< 1.8.	<2.4	<2.4
Noise Figure	2.0 Max	-	-
Band Width	2 MHz	256MHz for 704MHz~960MHz 980MHz for 1710MHz~2690MHz	
Impedance	50 Ohm	50 Ohm	
Cable/Connector	5 Meter-RG174/ SMA	5 Meter-RG-58, SMA(SP) or other standard connectors	
Polarization	R.H.C.P	Linear	
Power supply	3.0 ~ 5.5V DC	-	
PowerConsumption	12mA	-	
Power Handling Capacity	-	10W	
Dimension	Ø85 × 41.5(H) mm		
Silicone Rubber	EPDM(3033G01), Black 60°, Ø85- 內孔徑 Ø22mm		
Operation Temperature	-40°C~+80°C		
Storage Temperature	-45°C~+85°C		