

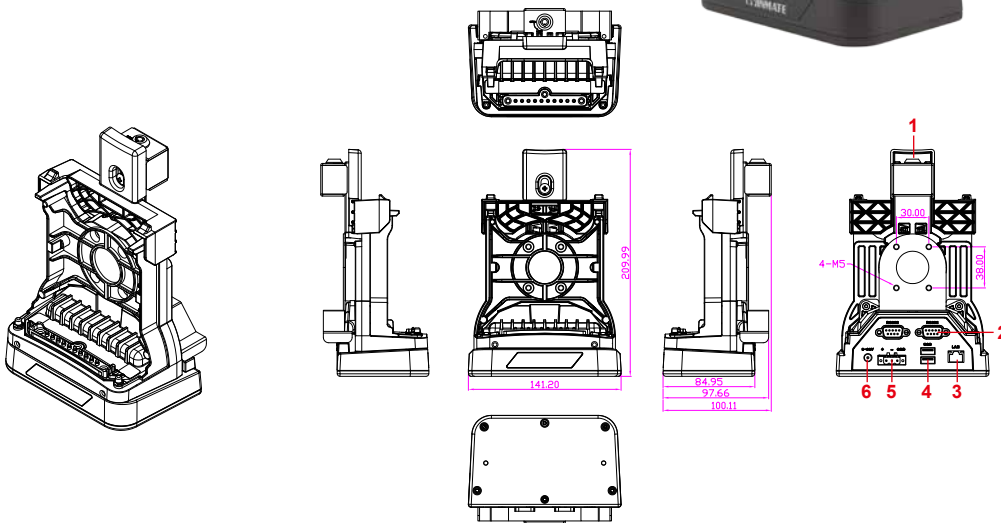
Vehicle Dock for M9020B

M9020B-VD

Product Features:

- Single-hand operation, remove or docked using one hand
- Anti-theft design with key lockable cradle
- Wide power voltage input (9-36V DC Input)
- Easy to service; separated the Mount and the electronic Box
- Flexible design and Fits to RAM Mounts
- Docking station connector for connection with M9020B
- The main body in aluminum and make it very strong and removes any flexing and twisting

Mechanical Drawing



1. Lock
2. RS-232 Connectors
3. RJ-45 Connector
4. USB Ports
5. Bare leads DC connector
6. Power Connector

Docking M9020B :

Step 1



1. Align the golden connector and guide pin holes on the M9020B with one on the docking station. Insert M9020B into the guide pin holes on the docking station

Step 2



2. Slightly push the upper part of M9020B towards the docking station, until you hear the "click" sound,

Undocking M9020B :

Step 1



1. While holding the M9020B, press the release latch on the docking station and then lift the device to un-dock it.

Specification

Lock	Locking system to avoid the device being taken from the dock.
RS-232 Connectors	Connection for serial devices, for example, a scanner or a printer.
RJ-45 Connector	Provides connection to a LAN.
USB Ports	Connection for 2 x USB 2.0 compatible devices, for example, USB flash drives.
Bare leads DC connector	Connection for DC power supply with bare leads.
Power Connector	Connects to the AC adapter.