

# Vehicle Dock for M101H

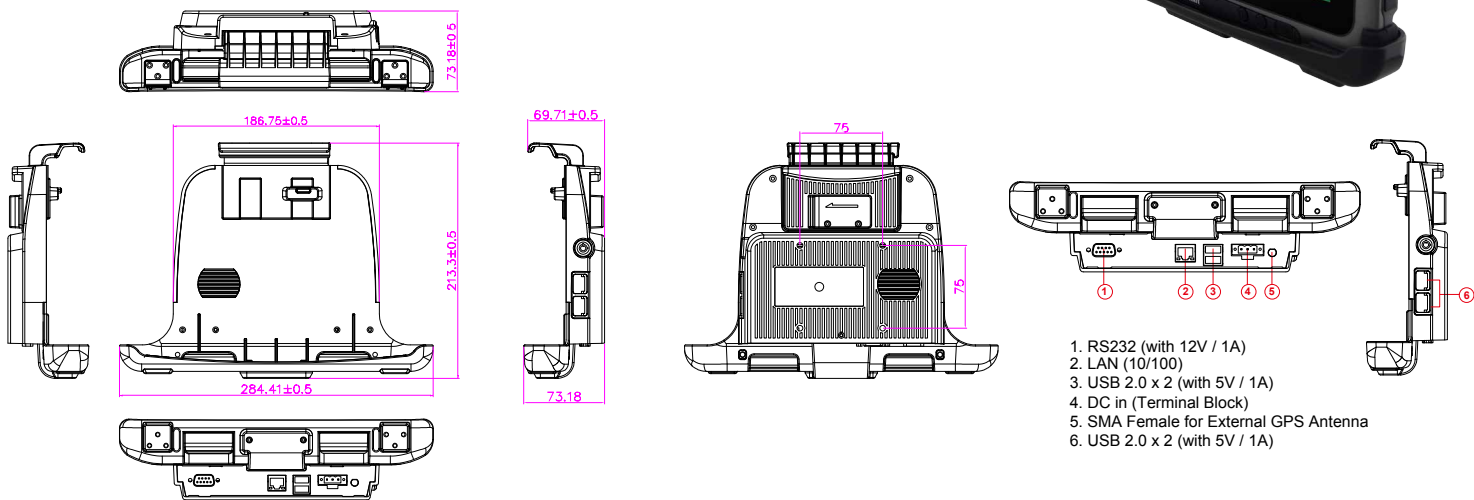
VD-M101H

## Product Features:

- Hold the tablet stably on moving vehicle
- Anti-theft design with key lockable cradle
- Wide power voltage input (9~36V DC-in)
- IP52 design (Rain proof)
- VESA standard for various standard fixtures
- SMA connector (Female) for external GPS antenna
- Operating temperature : -20°C ~ 60°C



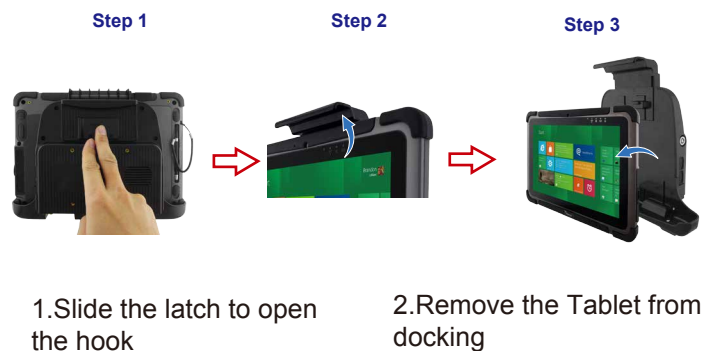
## Mechanical Drawing



## One hand docking :



## One hand undocking :



## Specification

|             |        |  |
|-------------|--------|--|
| Dimension   |        | 284.41 x 213.3 x 73.18 mm  |
| Power Input |        | 9~36V DC In  |
| I/O Support | Bottom | RS232 x 1, USB 2.0 x 2, LAN x 1<br>SMA Female x 1 (for external GPS antenna)<br>3-Pin Terminal Block x 1 (DC IN) |
|             | Side   | USB 2.0 x 2  |
| Mounting    |        | 75 x 75mm VESA Mount   |
| Vibration   |        | MIL STD. 810G, 5 ~ 500Hz, 2.24G  |