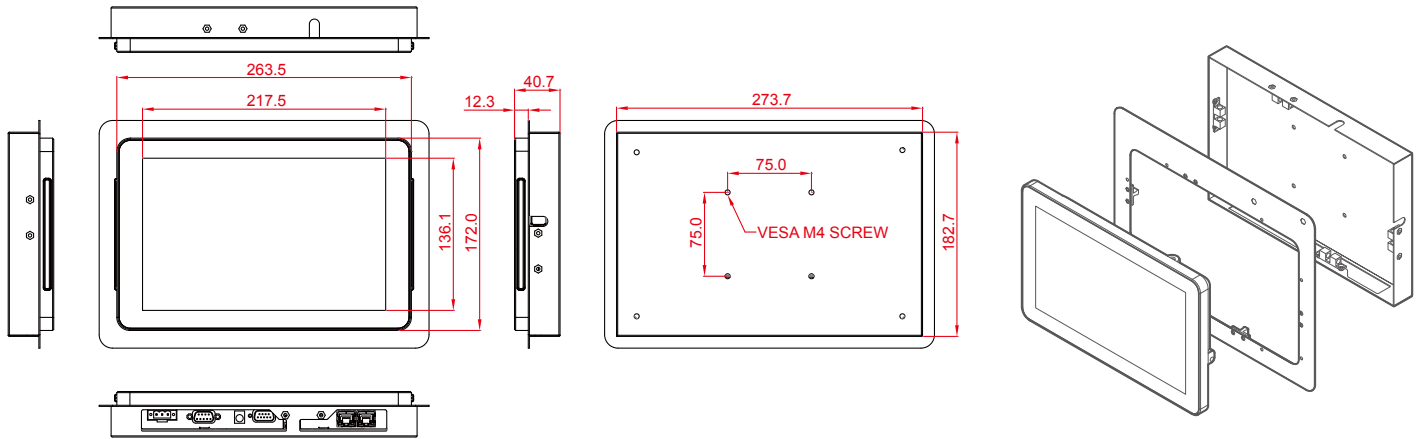


Front Side Wall Mount Kit (For 10.1" S-Series HMI)

Model Name:PCFW-V1
Part Number: 99KK00A0000C

Mechanical Drawing:



How to use Front Side Wall Mount Kit ?

