

PDA Accessories

C350 Series Office Charging Docking

Winmate Part Number: 98K000A0001L

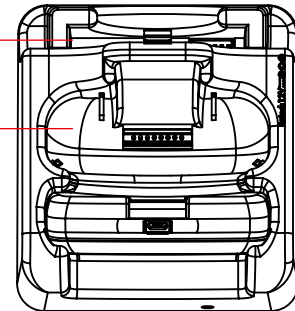


Specification:

Office Docking		
I/O Ports	Remarks	
1 Pogo-pin x 1	Middle Slot, for C350	
2 Battery connector x 1	Rear Slot, for Battery	
3 DC in x 1	12V/ 36W DC in	

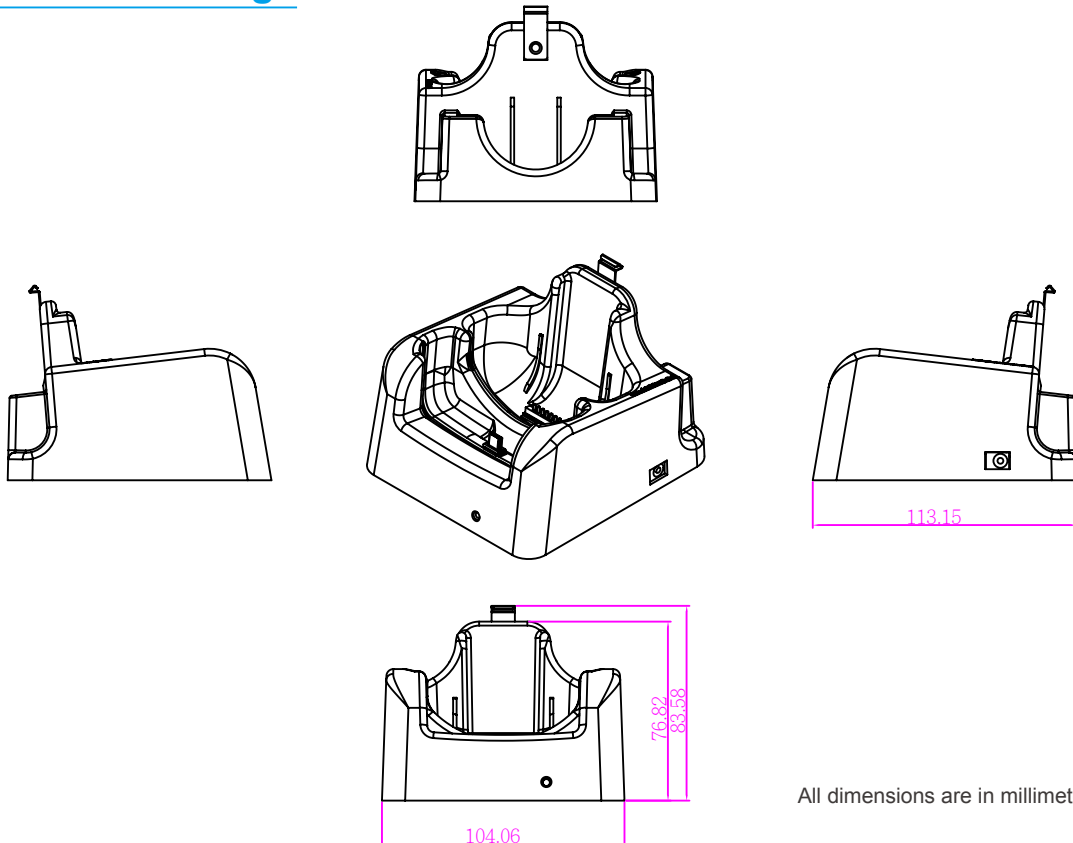
Rear Slot for Battery
(Battery Connector)

Middle Slot for C350
(Pogo-pin)



DC-in

Mechanical Drawing:



All dimensions are in millimeters.

Rev.	Reasons	Revised Date
1.0	First Release	May23.14