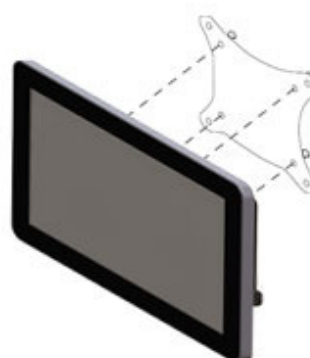


# Mounting Guide

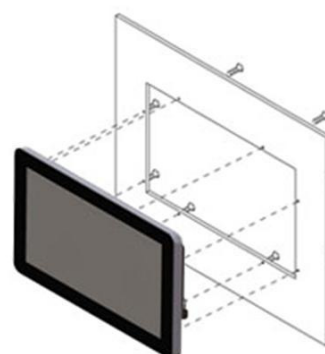
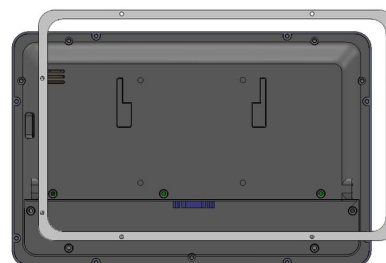
## 1. VESA Mount:

- **Dimension:** 75 x 75 mm
- **Screw Hole Diameter:** M4 x 5 mm
- **Direction:**  
Compatible with swimming arms mounting kits.



## 2. Flush Mount / Panel Mount:

- **Cut Out:** 157.6 x 249 mm
- **Screw Hole Diameter:** M3 x 4 mm
- **Direction:**
  - (1) Adhere the attached gasket to panel PC back cover.  
**[Note]** Please make sure that the eight holes on gasket can fit those mounting holes on panel PC.
  - (2) Put panel PC on the pre-drilled fixture (wall or panel...) from the front, with the sides of the front bezel shown on the outside.
  - (3) Fix the PPC to fixture with M3 screws.



## 3. VESA Stand (optional):

- **Order Information:**  
Model Name : PCVS-V1  
Part Number: 99KK00A0000E
- **Direction:**  
Use provided M4 screws to fix the stand to VESA holes on the panel PC back cover.



#### 4. Winmate VESA Bracket Mount (Optional):

- **Order Information:**

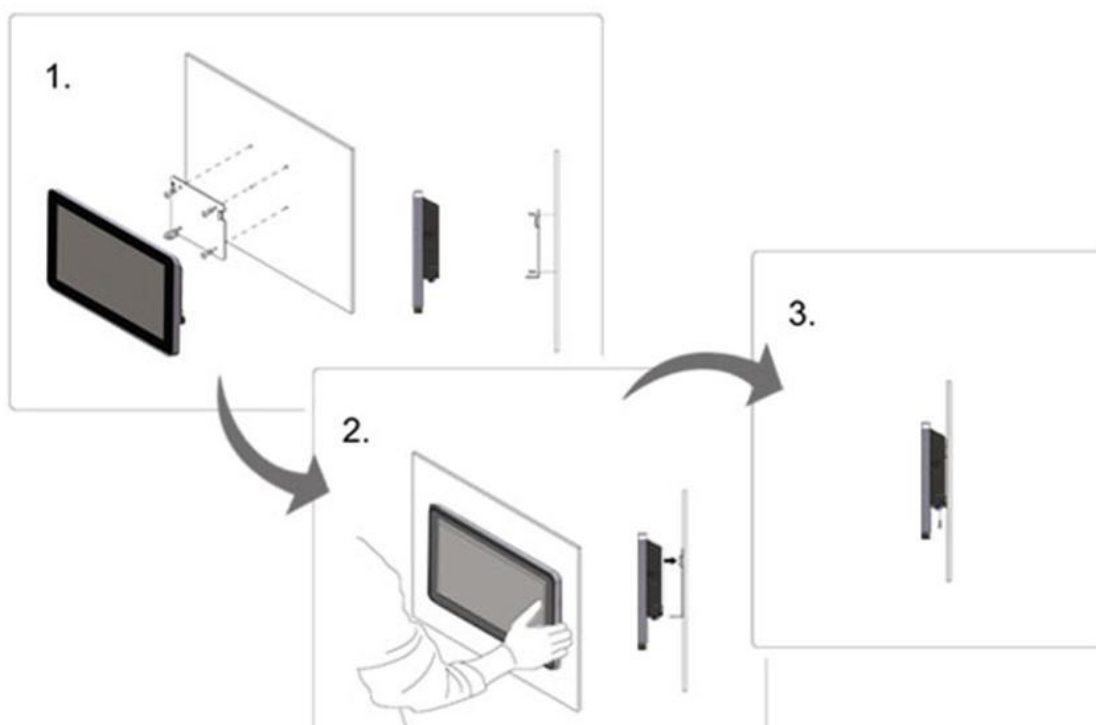
Model Name : PCVB-V1

Part Number: 99KK00A0000B

- **Screw Diameter:** M4 flat head (countersunk) screws

- **Direction:**

- (1) Screw Winmate VESA Bracket to the fixture (ex. Wall) with M4 flat head screws.
- (2) Hang the 10.1" panel PC on VESA bracket. Please notice that both hooks on bracket should lock the notches on panel PC back cover.
- (3) Slightly pull down panel pc till reaching the blocker on bracket. Fix panel PC to the blocker with the M3 round head screw attached.



#### 5. Front Side Wall Mount (Optional)

- **Order Information:**

Model Name : PCFW-V1

Part Number: 99KK00A0000C

- **Cut Out:** 275x184x28.4 mm

- **Direction:**

- (1) Place the interface plate to the backside of panel PC. Fix the interface plate to the panel PC with attached M3 flat head screws.
- (2) Insert the back box in the wall open and fix with M4 tapping screws.
- (3) Connect cables and power to panel PC. Fix the striker into the roller catcher until

there is the lick sound click.

