

Rugged Tablet

Multi-functional Docking station Kit

Model : MFD-08

Part number: 99KK00000009

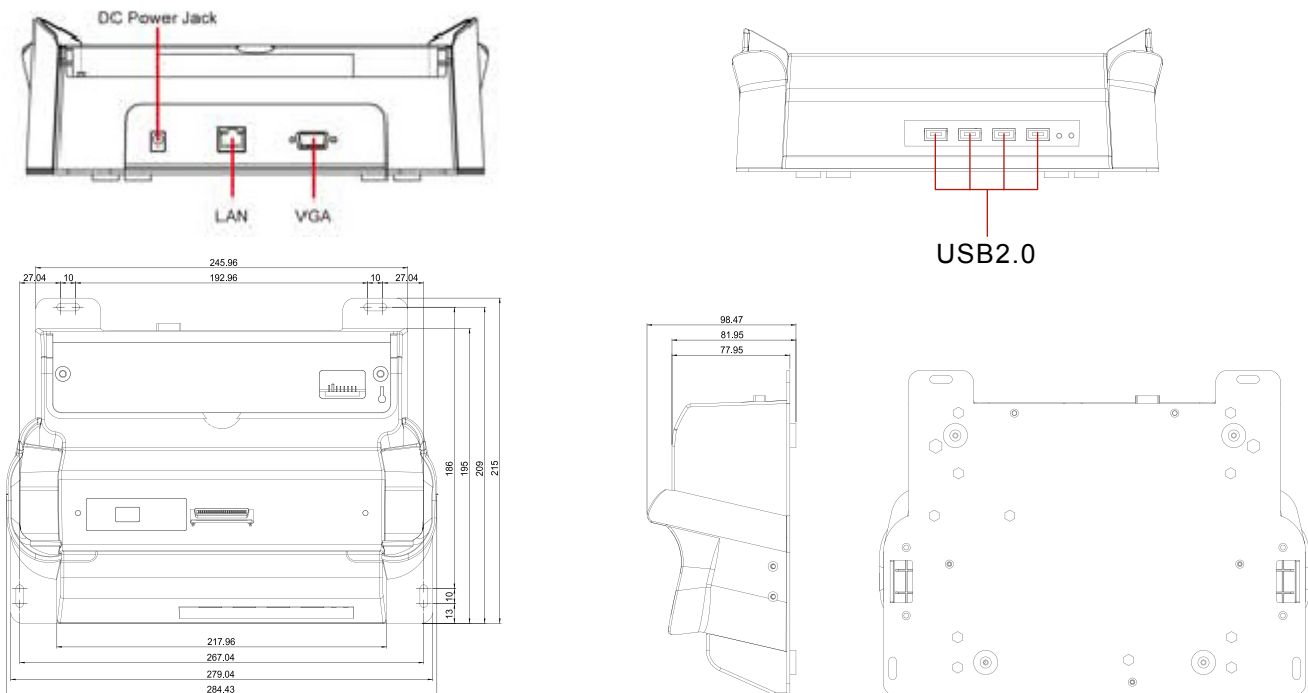
Feature

- Power Input: 19V power input support standalone power charge
- Expansion Function:
 - 8.4" : 4 x USB 2.0 , 1 x VGA , 1 x 10/100 LAN

Picture



Mechanical Design Drawings



* Note : This is a simplified drawing and some components are not marked in detail.
Please contact with our sales representative if you need further product information.

Order Information

#	Model Name	Description
A.	MFD-08	Support R08ID8M/ R08IH8M/ R10IH8M Rugged Tablet PCs