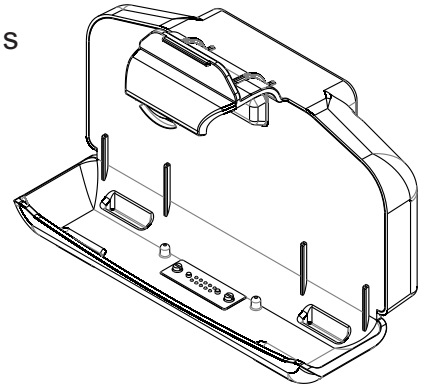


Vehicle-Mounting Docking Stand

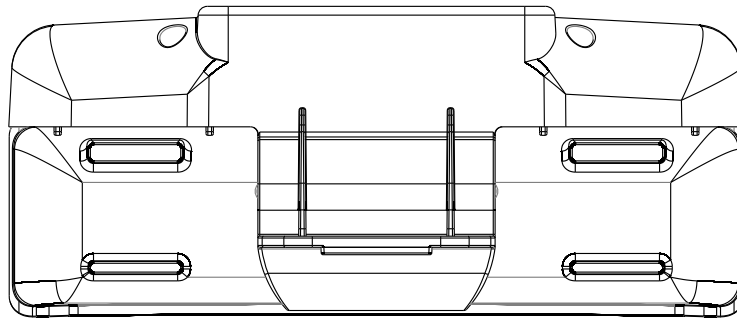
Model : MF-VMC-0057

Part number : 99KK05A00001

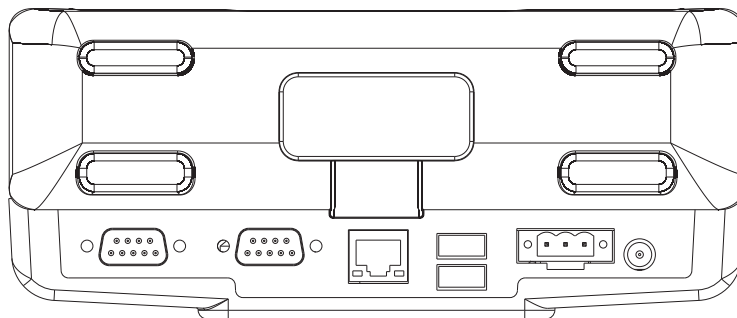
- Input: 9~36V with a car charging connector
- Output: 12V with a cable can connect to our Rugged Tablet PCs
- TDP: 50W
- Mechanical mount: VESA mount, universal RAM mount
- Expansion Ports: 2 x USB 2.0, 1 x LAN, 2 x COM, 1 x DC 3 Pins terminal block, 1x DC Input jack
- Ergonomic & User-friendly design of loose/ lock the Tablet PC



Mechanical Design Drawings



FRONT VIEW



BOTTOM VIEW

* Note: this is a simplified drawing and some components are not marked in detail. Please contact our sales representative if you need further product information.