

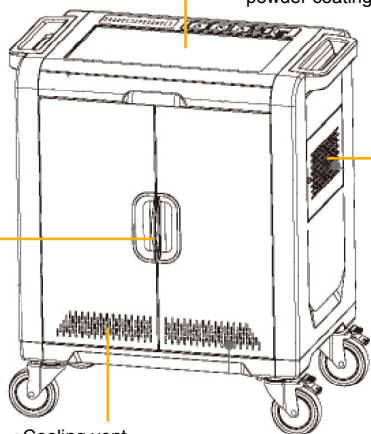
Tablet Charging Trolley - M970D/M101D compatible **M97CC-V2**

Product Features:

- Charging up to 32pcs of tablet at the same time, saving time and space.
- Lockable doors and casters design for security and safety
- Unique and durable plastic design
- Compact metal housing
- Two handles for easy manoeuvring
- Wire Management - quick and easy store for cables



- Security
Lockable design for the security.



- Cooling vent
Allow maximum air flow in the trolley.

- Appearance
Unique and durable plastic design. All 18-gauge steel for main structure. Environmental friendly, the components are finished with powder coating.

- Fan
Air circulation

- Slot-in Sliding Door
For security and space saving

- Extra Outlet
3 outlets for convenience. Power all your peripherals from one standard wall outlet

- Handle
Easy to hold and move the trolley.

- Laser Numbered Slots
Numbering system help you keep tablet organized.

- Wire Management
Quick and easy to store cables

- Main Power Cord
Plugs into the wall outlet

- Ships fully assembled

- Lockable Casters
Smooth rolling wheels, two casters with brake locks to provide added control.

Specification

Model Name	M97CC-V2	N.W/G.W	73kgs/83kgs(W/O tablet)
Capacity	Up to 32 pcs	External Power outlet	AC 100~120V, 50/60Hz 8A
Max. tablet size	285 x 255 x 15 mm	Power Rating	Input: AC 110~240V Output: DC 12V, 3A (X24)
Dim.with Packing	835 x 575 x 1075 mm	Option Item	Combination padlock

Rev.	Reasons	Revised Date
1.0	First Release	May.16.13