

# M9020-BC

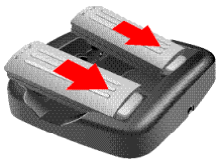
## M9020 Battery Charging Dock

### Specification:

M9020-BC		
I/O Ports	Remark	
1	Charging Slot x 2	PoGo Pin Type
2	LED Light x 2	Show Power level
3	DC in x 1	19VDC in



### Charging the Battery pack:



1. From the top side of the battery pack, align and place the battery into the battery charger.
2. Press down on the battery pack.
3. Repeat the above steps to install the second battery pack if necessary.
4. Plug the DC cord of the AC adapter into the power connector of the battery charger.

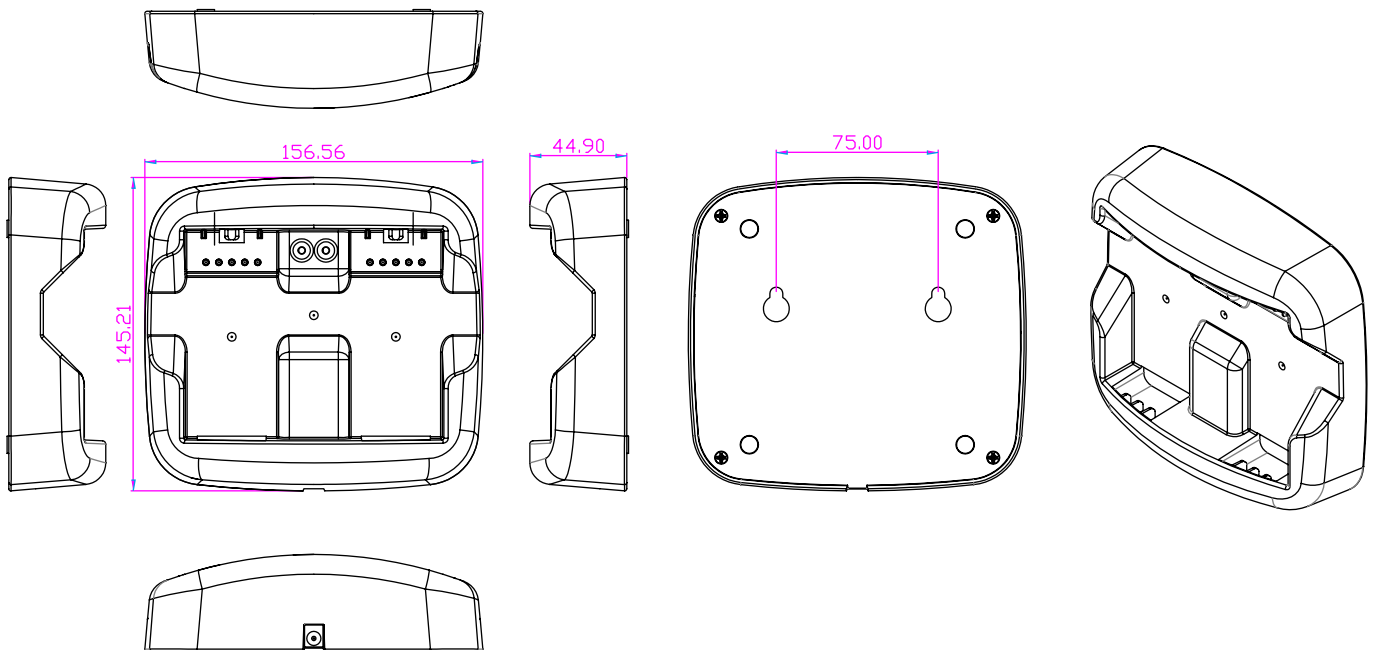


5. Plug the female end of the AC power cord into the AC adapter.
6. Then plug the male end of the AC power cord into an electrical outlet.
7. Wait until the LED indicator on the battery charger lights from "red" to "green", indicating charging is finished.

#### NOTE:

- The additional battery pack is optional.
- The battery pack(s) are hot-swappable.
- The power adapter is optional

### Mechanical Drawing:



Rev.	Reasons	Revised Date
1.0	First Release	Mar.10.15
1.1	Spec Change	Jul.28.15