

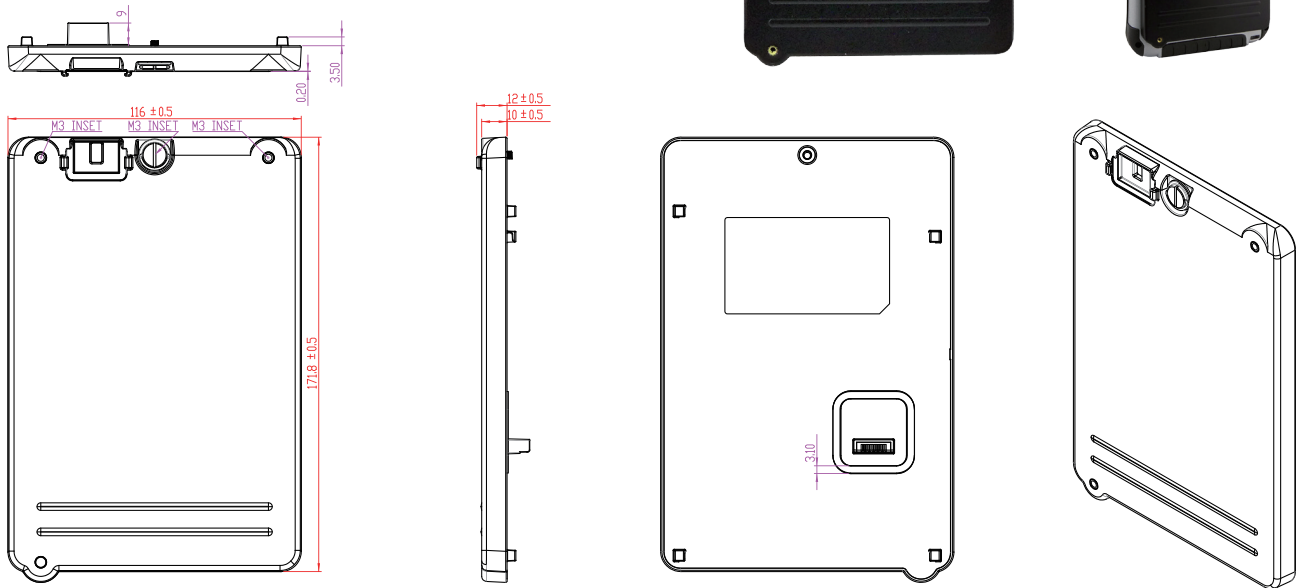
Hotswap Battery for M700D

HB-M70M

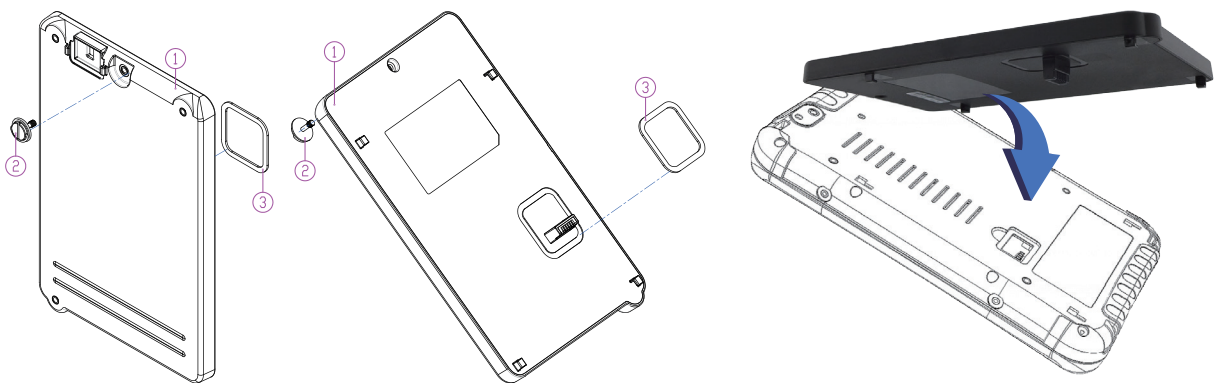
Product Features:

- Tool-less Hand Screw for Easy and Secure Installation or Removal of Battery
- Large Capacity for Extended Battery Life
- Battery Installs Seamlessly and Securely to M700D to Be a Complete Unit

Mechanical Drawing



Installation Procedure



Specification

Dimension	189 x 116 x 10mm
Voltage / Capacity	7.4V 5300mAh
Composition	2S1P LiIon rechargeable battery
Life cycle	≥ 300
Certification	UN38.3