

Battery Charger for M700D

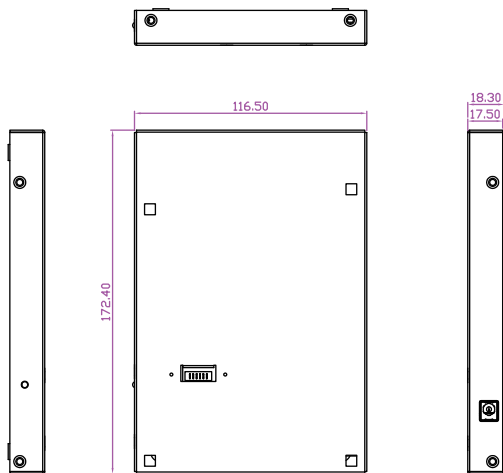
BC-M700D

Product Features:

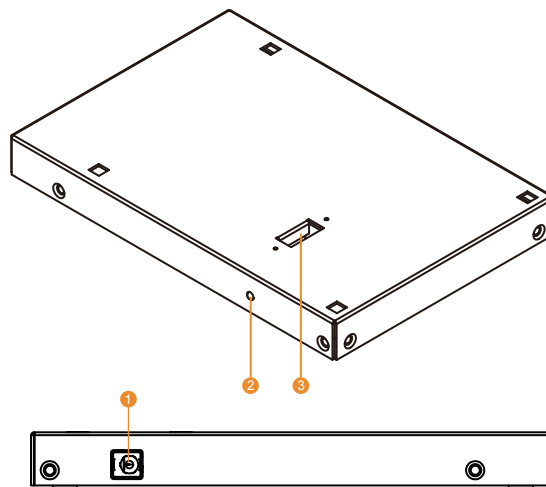
- Quick and easy charge for M700D secondary battery
- Flat surface design suitable for desktop use
- Battery status indicator
- 12V DC power input



Mechanical Drawing



Introduction:

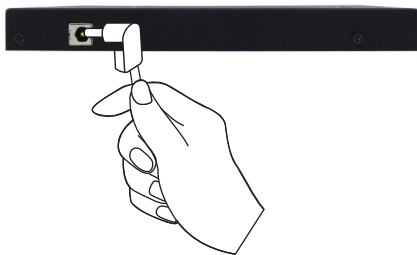


1. 12V DC jack
2. LED indicator
3. Battery Connector

LED Status

Red	Standby mode
Orange	Charging
Green	Charged

Step 1



Step 2



Step 3



1. Connect the power supply output connector to the input power port on the device.

Use only the AC adapter included in the package

2. Place the secondary battery facing down and then locate the port on the upper part of the charging device.

3. Place the secondary battery on the top of the charging device and it will start the charging process.

Please refer to the LED indicator status

Specification

Dimension	116.5 x 172.4 x 18.3 mm
Power Input	12V DC in
Indicator	Battery status LED
Charge time	3.5hr to Fully charged

Order information

BC-M700D	98DT00A00002
Adapter (optional)	922D050W12V5

Rev.	Reasons	Revised Date
1.0	First Release	May-29-2013