

FM07, 7-inch Vehicle Mounted Computer

A Rugged Vehicle Mounted Computer for Data Collection in Warehouse and Logistics Applications

FM07 is a rugged vehicle mounted computer delivers flexibility and mobility in a vehicle-mount form factor, designed to be easily mounted on a vehicle. FM07 fits seamlessly into forklifts and other warehouse vehicles, will help minimize errors, streamline ordering and inventory management, and improve operational efficiencies. The processing power comes from Intel® Celeron N3350 (Apollo Lake) processor. The computer features a brilliant projected capacitive multi-touch screen, and offers 1024 x 600 pixel resolution.



Highlights

- Intel® Celeron N3350 (Apollo Lake)
- 7" 1024 x 600 panel with projected capacitive multi-touch screen
- Wide power input 9-36V DC with ignition
- M12 waterproof connectors
- Front IP65 waterproof and dustproof
- Wi-Fi, WLAN and GPS for wireless connectivity
- Wide range operating temperature -20°C to 60°C
- Shock and vibration resistance according to MIL-STD-810G

FM07, 7-inch Vehicle Mounted Computer

A Rugged Vehicle Mounted Computer for Data Collection in Warehouse and Logistics Applications

Display Specification

Size	7-inch display
Resolution	1024 x 600
Brightness	1000 nit
Touch	Projected capacitive multi-touch
Contrast Ratio	700:1
Viewing Angle	75/75/75/70

System Specification

Processor	Intel® Celeron N3350, 2M Cache
System Memory	2GB SODIMM DDR3L-1600 (up to 8GB) ¹
Storage	64GB M.2 MLC solid state drive SSD
Operating System	Windows® 10 IoT Enterprise

Wireless Communication

WLAN	802.11 a/b/g/n/ac
GPS	u-Blox Neo-M8N
WWAN	LTE : B1/B2/B3/B4/B5/B7/B8/B13/B17/B20 WCDMA/HSDPA/HSUPA/HSPA+ : 850 MHz/900 MHz/1700 MHz (AWS)/ 1900 MHz/2100 MHz GPRS/EDGE

Interface

Computer	1 x RS232 (M12 type) 1 x Gigabit Ethernet LAN 10/100/100 Mbps(M12 type) 1 x DIDO, CANBus (M12 type) 1 x Power input 9-36V DC with ignition 1 x SIM Card Slot 1 x USB A-Type Wi-Fi Antenna WWAN Antenna GPS Antenna
----------	--

Keyboard and Input

Touch	• Projected capacitive
Button	• On-screen QWERTY keyboard • Front: 5 x function key (Programmable function key configured by Hottab Utility) • Rear: 1 x Power button, 1 x Reset button
LED Indicators	Power, Storage

Audio

Speaker	1 Watt speaker, located on the back cover
---------	---

Mechanical and Environment

Dimension (W x L x H)	188.75 x 144.75 x 39.5 mm (7.43 x 5.70 x 1.56 inches) ²
Weight	1.0 kg (2.20 lbs)
Housing	Back cover aluminum housing
Cooling System	Fanless design
Operating Temperature	-20°C to 60°C (-4° to 140° F)
Humidity	10% to 95% RH, non-condensing
IP Proof	Full IP65, dustproof and waterproof
Shock	MIL-STD-810G Method 516.6 Procedure I, 30 g for 18 ms, 300 m/s ²
Vibration	MIL-STD-810G Method 514.6 Procedure I, 1.60/ 1.96/ 2.18 g rms for XYZ/ 5-500 Hz
Certifications	CE, FCC

Power Management

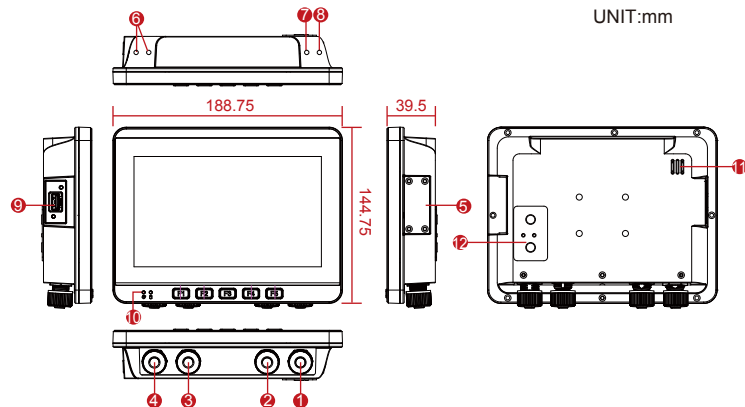
Power Input	9V-36V, with ignition control
-------------	----------------------------------

Accessories

Standard Accessories ³

User Guide	9152111109C
M12 Power Cable	94J004L040K1
M12 RS232 Cable	94E0123090K0
M12 LAN Cable	94I0120080K0
M12 DIDO/ CANBus Cable	94E012L110K0

Drawing ⁴



- | | |
|-------------------------|--|
| 1. RS232 (M12 Type) | 7. GPS Antenna |
| 2. LAN (M12 Type) | 8. Wi-Fi Antenna |
| 3. DIDO, CAN (M12 Type) | 9. USB A-Type |
| 4. 9-36DC with Ignition | 10. LED: power, storage |
| 5. SIM Card Slot | 11. Speaker |
| 6. WWAN Antenna | 12. Buttons: power, reset
LED: power, storage |



Do not expose bare skin to this product when handling this unit in extreme hot or cold environments

- Caution
- Total usable memory will be less depending upon actual system configuration.
 - Length measurements do not include protrusions. Weight varies with options.
 - Accessories may vary depending on your configuration.
 - This is a simplified drawing and some components are not marked in detail.