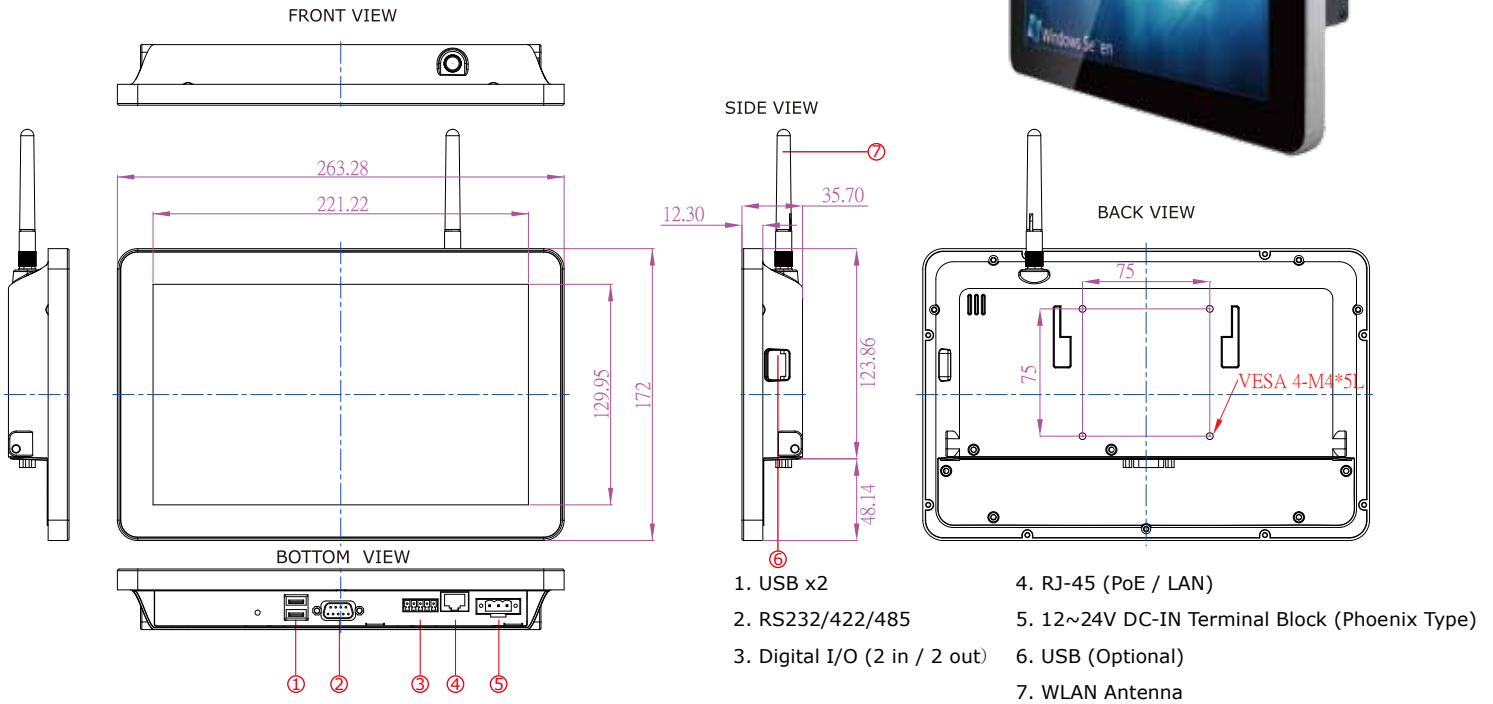


10.1" Flat Panel PC - W10ID3S-PCH1-PoE (with WiFi)

Mechanical Design

- 10.1" 1024 x 600 Resolution with P-Cap Multi-touch screen
- Low-Power system with Intel Atom N2600 processor
- Fanless cooling system and Ultra-low power consumption
- PoE (Power over Ethernet) Power Input Option
- 802.11 b/g/n WLAN with Antenna
- Room Booking Schedule, Access Control. Room Information Display
- Front IP65 Water and Dust Proof
- LED Light Bar Indicator (Optional)



Specifications

System :

- Processor : Intel® Atom N2600 Dual Core 1.6GHz
- System Chipset : Intel® NM10 Chipset
- System Memory : 2GB SODIMM DDR3-800
- Storage : 32GB SATA SSD
- LAN : Dual Broadcom BCM57780 GbE Controller
- Wireless : 802.11 b/g/n

Input / Output :

- Serial Ports : 1 x RS232/422/485
- USB Ports : 2 x USB 2.0 on bottom side
: 1 x USB 2.0 on right side (Optional)
- Ethernet : 1 x RJ 45-10/100/1000 Mbps (PoE)
- Digital IO : 2 x DI , 2 x DO ports (Phoenix Type)
- WLAN Antenna : 1 x WLAN Antenna SMA on top

Display Spec :

- Size/Type : 10.1" TFT (Wide screen)
- Resolutions : 1024x600
- Brightness : 200cd/m (typ.)
- Contrast Ratio : 500 : 1 (typ.)
- Viewing Angle : -70~70(H);-50~60(V)
- Max Colors : 262K(6bit)
- Touch : Projective-Capacitive Touch (up to 4 points)

Power Specifications :

- Power Input : 12V~24V DC-IN, 3-Pin Terminal Block
24V AC/DC In (Optional)
PoE(Power over Ethernet)

Mechanical Specification :

- Cooling System : Fanless design
- Mounting : VESA Mount(75x75mm)
- Dimension (W x H x D) : 263.28 x 171 x 35.7 (mm)

Environment Considerations :

- Operating Temperature : 0 deg.C to 50deg.C
- Operating Humidity : 30% to 90% (non condensing)

OS/BSP/Driver Support :

- Operation System* : Windows Embedded Std.7-WS7P (Optional)
: Windows 7 Professional Embedded (Optional)
: Windows XP Embedded (Optional)

	Multi-touch	Windows Touch gesture
Windows Embedded Std.7-WS7P	Yes	Yes
Windows 7 Pro. Embedded	Yes	Yes
Windows XP Embedded	None	None



Rev.	Reasons	Revised Date
1.2	Spec Change	Nov-19-12
1.3	Spec Change	Feb-23-13
1.4	Spec Change	Jun-18-15

Note: All Specifications are subject to change without prior notice!

Revised Date:06/18/2015