

# Rugged Tablet

## Vehicle-Mounting Docking Stand w/ Car Charging

Model : VMDS-12

Part number:99KN00A00006

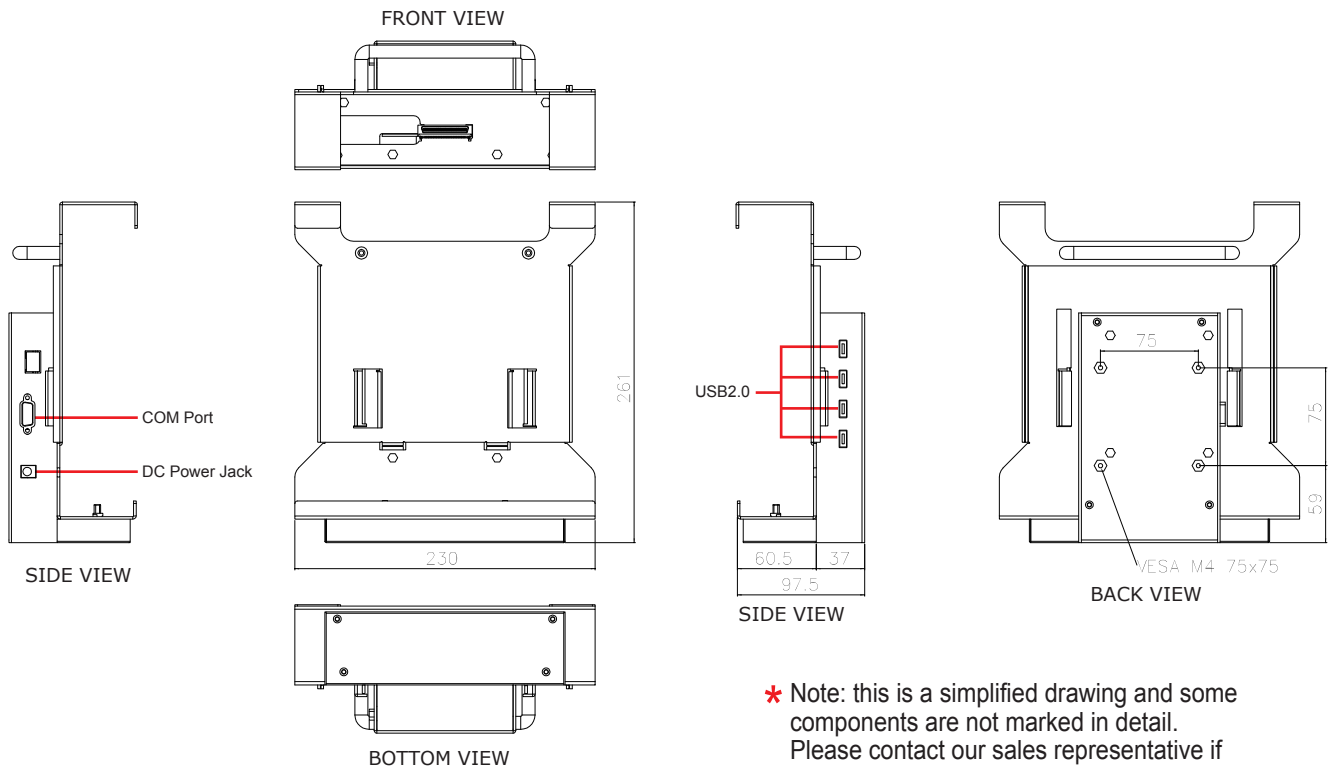
- Input: 9~36V with a car charging connector
- Output: 19V with a cable can connect to our Rugged Tablet PCs
- TDP: 80W
- Mechanical mount: VESA mount, universal RAM mount
- Expansion Ports: 4 x USB 2.0, 1 x COM
- Ergonomic & User-friendly design of loose/ lock the Tablet PC



### Picture



### Mechanical Design Drawings



\* Note: this is a simplified drawing and some components are not marked in detail. Please contact our sales representative if you need further product information.

### Order Information

#	Model Name	Description
C.	VMDS-12	Support 12.1 inch all series Rugged Tablet PCs