

Multi-Band Combo Antenna

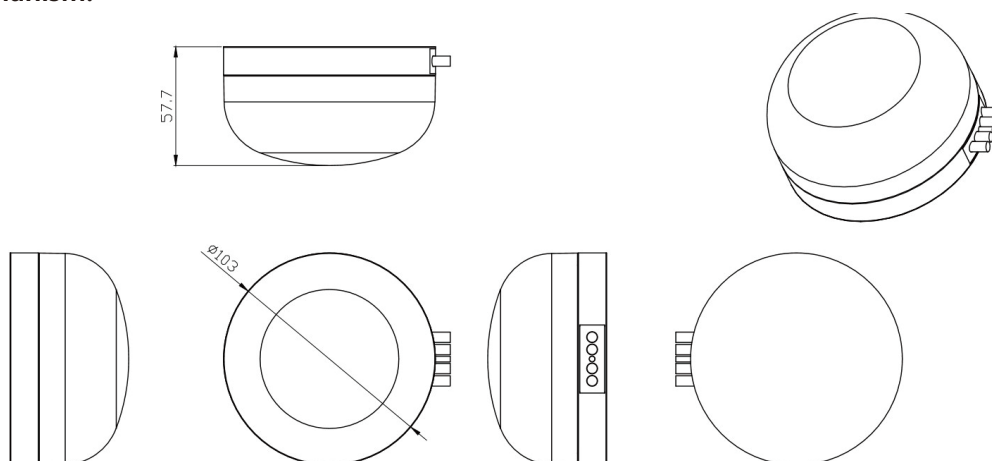
VM10S

Feature:

- Heavy-duty low profile compact structure
- Both permanent and magnetic mountings are available,
- IP67 Fully waterproof
- Covers all the mobile communication network
- GLONASS feature is optional



Antenna Mechanism:



Specification:

Category	GNSS Antenna	LTE Antenna
Frequency	GPS: 1575.42 MHz GLONASS: MHz 1602 MHz (Optional)	704~960 MHz, 1710~2690 MHz
Gain	27 dB (Without Cable)	1.5dBi@700~960 MHz (5m Cable) 2.5dBi@1710~2170 MHz (5m Cable) 1dBi@2300~2690 MHz (5m Cable)
V.S.W.R	< 1.8	<1.8 (with 5m cable)
Noise Figure	1.2 Max	-
Band Width	2 MHz	256 MHz for frequency of 704-960 MHz 460 MHz for frequency of 1710-2170 MHz 100 MHz for frequency of 2400-2500 MHz 700 MHz for frequency of 5150-5850 MHz
Impedance	50 Ohm	50 Ohm
Cable / Connector	5m RG-174 Cable-SMA (P)	5m RG-58 Cable-SMA (P)
Polarization	R.H.C.P	Linear
Power supply	3.0~5.0V DC	-
Power Consumption	3V : 10.6mA+1mA, 5V : 21mA +1mA	-
Power Handling Capacity	-	10W
Dimension	104mm (Dia.) x 60mm (H)	
Operation Temperature	-45 degC to +80 degC	
Category	2.4G~2.5G	5.1G~5.8G
Frequency	2400~2500 MHz	5100~5850 MHz
Gain	1dBi (5m Cable)	1dBi (5m Cable)
V.S.W.R	< 1.3	< 1.5
Cable / Connector	5m RG-58 Cable-SMA (P)	5m RG-58 Cable-SMA (P)
Polarization	Linear	Linear
Dimension	103mm (Dia.) x 60mm (H)	
Operation Temperature	-40 degC to +80 degC	
Storage Temperature	-40 degC to +85 degC	