

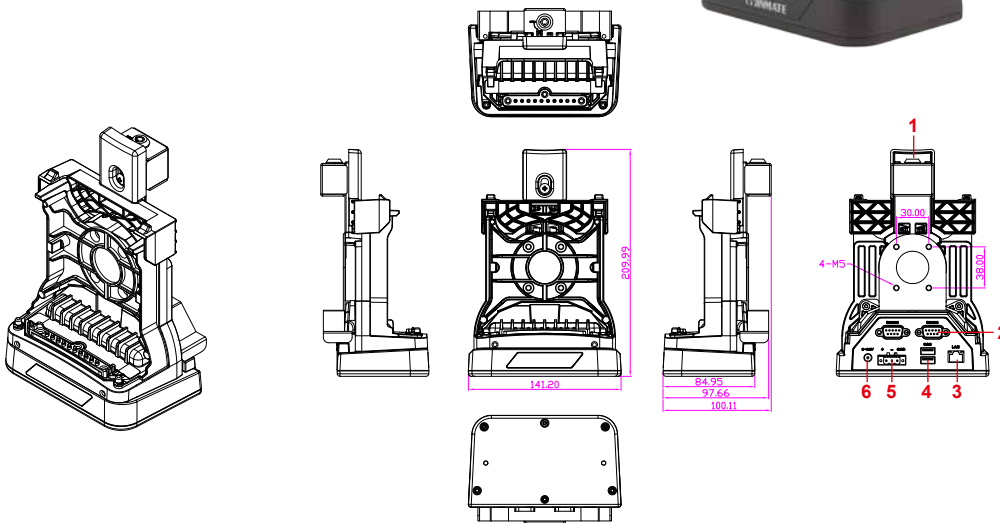
Vehicle Dock for M9020

M9020-VD

Product Features:

- Single-hand operation, remove or docked using one hand
- Anti-theft design with key lockable cradle
- Wide power voltage input (9-36V DC Input)
- Easy to service; separated the Mount and the electronic Box
- Flexible design and Fits to RAM Mounts
- Docking station connector for connection with M9020
- The main body in aluminum and make it very strong and removes any flexing and twisting

Mechanical Drawing



1. Lock
2. RS-232 Connectors
3. RJ-45 Connector
4. USB Ports
5. Bare leads DC connector
6. Power Connector

Docking M9020 :

Step 1



1. Align the golden connector and guide pin holes on the M9020 with one on the docking station. Insert M9020 into the guide pin holes on the docking station

Step 2



2. Slightly push the upper part of M9020 towards the docking station, until you hear the "click" sound,

Undocking M9020 :

Step 1



1. While holding the M9020, press the release latch on the docking station and then lift the device to un-dock it.

Specification

| | |
|-------------------------|---|
| Lock | Locking system to avoid the device being taken from the dock. |
| RS-232 Connectors | Connection for serial devices, for example, a scanner or a printer. |
| RJ-45 Connector | Provides connection to a LAN. |
| USB Ports | Connection for 2 x USB 1.1 compatible devices, for example, USB flash drives. |
| Bare leads DC connector | Connection for DC power supply with bare leads. |
| Power Connector | Connects to the AC adapter. |