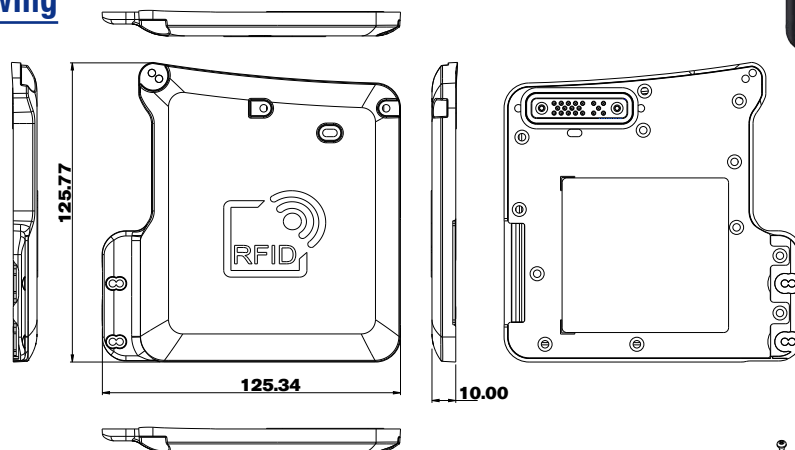


Product Features

- Integrated ThingMagic M6e-Micro module
- Integrated orientation antenna for fast and accurate tag reads
- Power transmission up to +30 dBm (1 Watt) power
- Read-Range 3+ Meters for 2x8 cm UHF tags in unobstructed space
- Option of 865-868 MHz and 902-928 MHz
- Supports EPCglobal Gen 2 (ISO 18000-6C) protocol
- Easy to install and operate

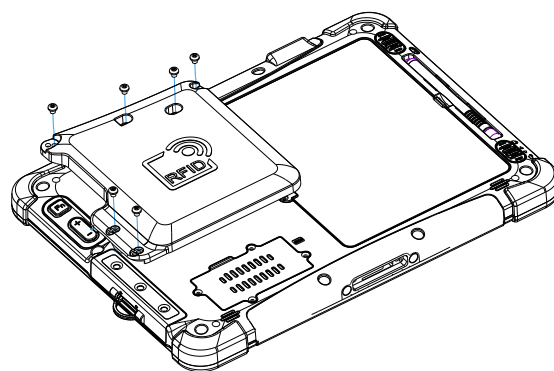


Mechanical Drawing



Installation Procedure

1. Remove expansion port cover from the rear side of M101 Tablet PC.
2. Align the Pogo Pin on UHF-M101 to the expansion port of M101 Tablet PC; screw to fix the module on tablet.
3. Turn on the power of UHF-M101 through Hottab utility (Extend_USB).
4. Install the driver and utility needed.



Specification

| Tag / Transponder Protocols | | | |
|-----------------------------|---|------------------|---|
| RFID Protocol Support | EPCglobal Gen 2 (ISO 18000-6C) with max backscatter rate of 640 kbps IP-X and ISO 18000-6B optional | | |
| Regulatory | Basing on different frequencies supported. | | |
| | <ul style="list-style-type: none"> • FCC (NA, SA) 902-928 MHz • KCC (Korea) 917-920.8 MHz • ACMA (Australia) 920-926 MHz • SRRC-MII (P.R.China) 920-925 MHz • ETSI (EU, India) 865.6-867.6 MHz • TRAI 865-867 MHz (India) | | |
| Power transmission (dBm) | up to +30 dBm (1 Watt) power | | |
| Read Range | 3 meters for 2x8 cm UHF tags in unobstructed space * | | |
| Certificate | Contains FCC ID: QV5MERCURY6E-M. | | |
| Environment & Mechanical | | Software Support | |
| Dimension | 125.77 x 125.34 x 10.0 mm | Support OS | Windows 8, Windows 8.1, Windows 7 |
| Operating Temp. | -10°C to +60°C | Test Utility | ThingMagic Universal Reader Assistant supported |
| Storage Temp. | -20°C to +70°C | | |

Ordering information

| Model No. | Part Number |
|-----------|--------------|
| UHF-M101 | 98K000A0004J |

*Note: Please note that the read range depends on the actual environment, and can be affected with different UHF RFID Tag IC used.