

Rugged Tablet Multi-functional Docking station Kit

Model : MDS-10

Part number: 98K010A0000B

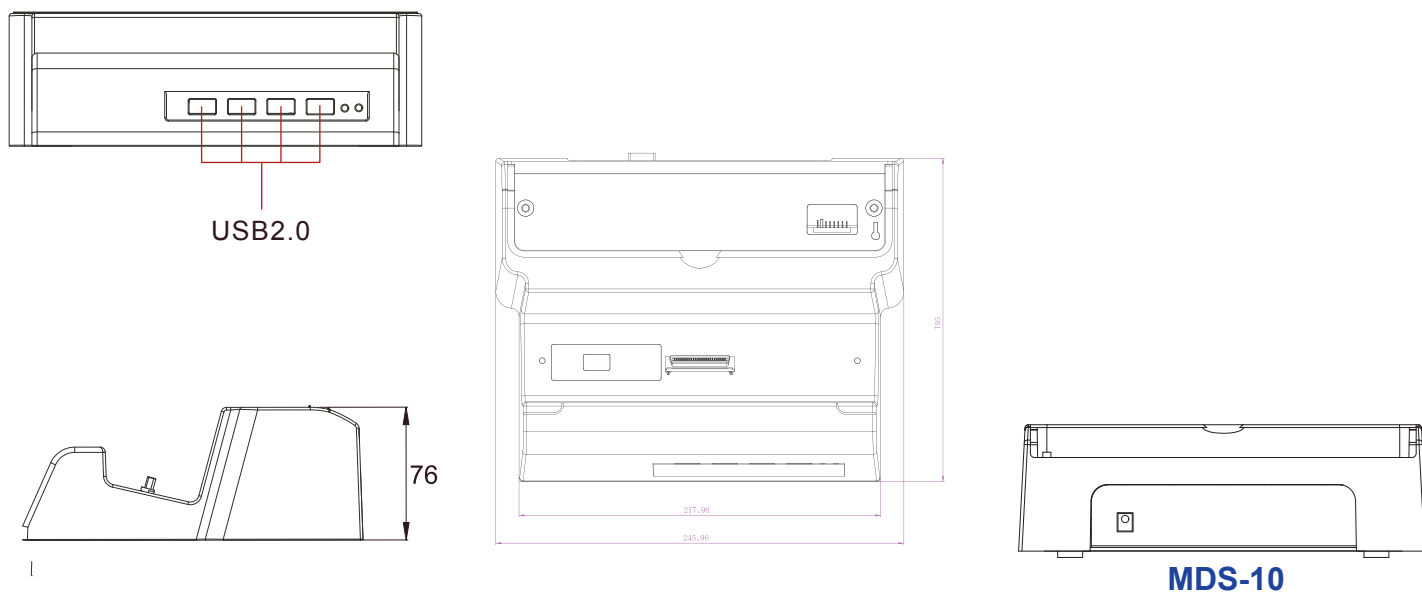
Feature

- Power Input: 19V power input support standalone power charge
- Expansion Function:
 - 10.4"/ 12.1" : 4 x USB 2.0

Picture



Mechanical Design Drawings



* Note : This is a simplified drawing and some components are not marked in detail.
Please contact with our sales representative if you need further product information.